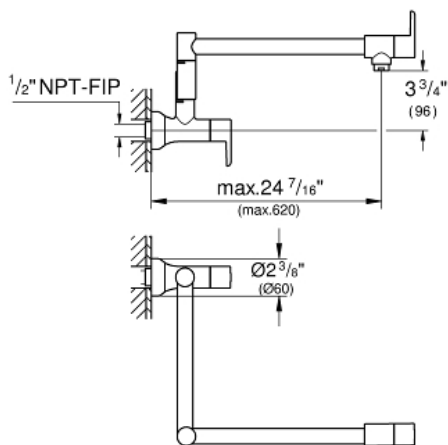


LADYLUX
Wall Mount Pot Filler
MODEL # 31075DC2

Pure Freude
an Wasser

GROHE



Product Description:
LADYLUX
Wall Mount Pot Filler

Standard Specification:

- Two swing joints, horizontally turnable (180°, 360°)
- Connection 1/2" NPT-FIP
- Ceramic cartridge
- Right turn closing
- ≥ 3.9 gpm (≥ 15.1 l/min) at 1.4 bar inlet pressure

Applicable Codes & Standards:

- Energy Policy Act of 1992
- NSF 61
- ASME A112.18.1/CSA B125.1
- US Federal and State material regulations
- LOGO NSF

Color:

- 31075DC2 SuperSteel InfinityFinish